

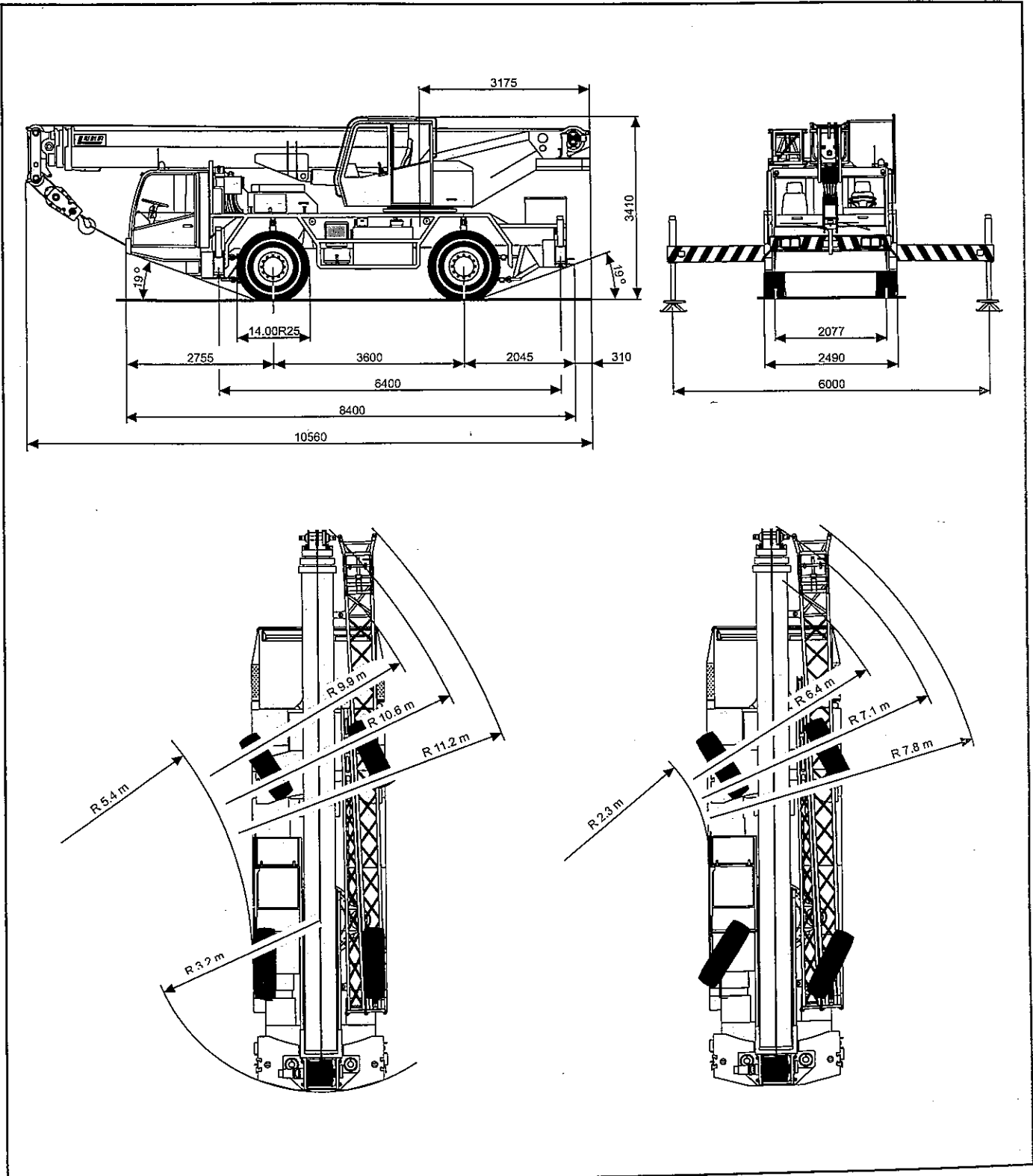
# DIMENSIONES

DIMENSIONS / DIMENSIONS / ABMESSUNGEN

AT353200401

N1361

**AT-35/32**



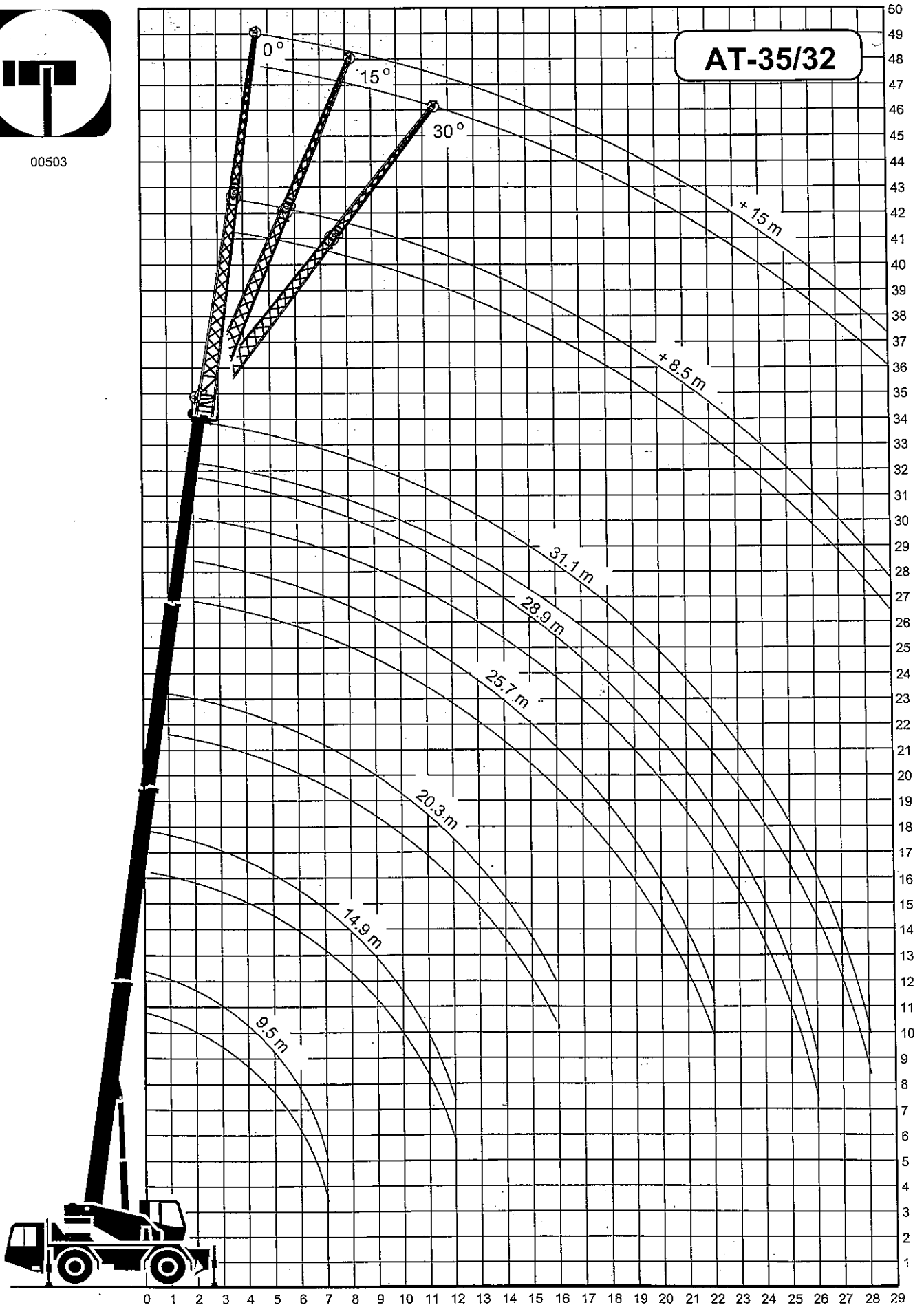
# DIAGRAMA DE ALCANCES

AT353200401

RANGE DIAGRAM / DIAGRAMME DES PORTÉES / AUSLADUNGSDIAGRAMM



00503



# TABLA DE CARGAS

AT353200401

01014-01021

**AT-35/32**

## LIFTING CAPACITIES / FORCES DE LEVAGE / TRAGLASTEN

### CONTRAPESO / COUNTERWEIGHT / CONTREPOIDS / BALLAST

2 t

PLUMA PRINCIPAL. GRÚA SOBRE ESTABILIZADORES TOTALMENTE EXTENDIDOS. ZONA DE TRABAJO 360°

MAIN BOOM. CRANE ON FULLY EXTENDED OUTRIGGERS. ROTATION 360°

FLÈCHE PRINCIPALE. GRUE SUR STABILISATEURS EN EXTENSION TOTALE. ROTATION 360°

TELESKOP AUSLEGER. ARBEITSZUSTAND: ABGESTÜTZT (VOLLE STÜTZBASIS). ARBEITSBEREICH: 360°

RADIO RADIUS PORTÉE AUSLADUNG m	75%						RADIO RADIUS PORTÉE AUSLADUNG m
	LONGITUD DE PLUMA BOOM LENGTH LONGUEUR DE FLÈCHE TELESKOP AUSLEGERLÄNGEN						
	9.5 m	14.9 m	20.3 m	25.7 m	28.9 m	31.1 m	
3	35.0*/30.0	18.9					3
4	25.4*/23.5	19.8	17.0	13.2			4
5	19.0	18.5	16.3	13.2	9.1	8.2	5
6	15.0	14.5	14.0	12.5	9.1	8.2	6
7	11.0	11.4	11.0	10.5	9.1	8.2	7
8		8.9	8.8	8.5	8.3	7.8	8
9		7.2	7.4	7.0	7.0	7.0	9
10		5.8	6.2	6.0	6.0	6.0	10
12		4.0	4.3	4.3	4.3	4.3	12
14			3.2	3.3	3.3	3.3	14
16			2.4	2.5	2.5	2.5	16
18				1.8	1.8	1.8	18
20				1.3	1.3	1.3	20
22				1.0	1.0	1.0	22
24					0.8	0.8	24
26					0.6	0.6	26

RADIO RADIUS PORTÉE AUSLADUNG m	85%						RADIO RADIUS PORTÉE AUSLADUNG m
	LONGITUD DE PLUMA BOOM LENGTH LONGUEUR DE FLÈCHE TELESKOP AUSLEGERLÄNGEN						
	9.5 m	14.9 m	20.3 m	25.7 m	28.9 m	31.1 m	
3	35.0*/30.0	18.9					3
4	25.4*/23.5	19.8	17.0	13.2			4
5	20.9	19.8	16.3	13.2	9.1	8.2	5
6	16.5	16.0	15.4	13.2	9.1	8.2	6
7	12.1	12.5	12.1	11.6	9.1	8.2	7
8		9.8	9.7	9.4	9.1	8.2	8
9		7.9	8.1	7.7	7.7	7.7	9
10		6.4	6.8	6.6	6.6	6.6	10
12		4.4	4.7	4.7	4.7	4.7	12
14			3.5	3.6	3.6	3.6	14
16			2.6	2.8	2.8	2.8	16
18				2.0	2.0	2.0	18
20				1.4	1.4	1.4	20
22				1.1	1.1	1.1	22
24					0.9	0.9	24
26					0.7	0.7	26

I-II-III	0	25	50	75	90	100	I-II-III
----------	---	----	----	----	----	-----	----------

# TABLA DE CARGAS

AT353200401

01313-01321

**AT-35/32**

## LIFTING CAPACITIES / FORCES DE LEVAGE / TRAGLASTEN

### CONTRAPESO / COUNTERWEIGHT / CONTREPOIDS / BALLAST

5 t

PLUMA PRINCIPAL. GRÚA SOBRE ESTABILIZADORES TOTALMENTE EXTENDIDOS. ZONA DE TRABAJO 360°

MAIN BOOM. CRANE ON FULLY EXTENDED OUTRIGGERS. ROTATION 360°

FLÈCHE PRINCIPALE. GRUE SUR STABILISATEURS EN EXTENSION TOTALE. ROTATION 360°

TELESKOPUSLEGER. ARBEITSZUSTAND: ABGESTÜTZT (VOLLE STÜTZBASIS). ARBEITSBEREICH: 360°

RADIO RADIUS PORTÉE AUSLADUNG m	75%						RADIO RADIUS PORTÉE AUSLADUNG m
	LONGITUD DE PLUMA BOOM LENGTH LONGUEUR DE FLÈCHE TELESKOPUSLEGERLÄNGEN						
	9.5 m	14.9 m	20.3 m	25.7 m	28.9 m	31.1 m	
3	35.0*/30.0	18.9					3
4	25.4*/23.5	19.9	17.0	13.2			4
5	19.8	20.5	16.7	13.2	9.1	8.2	5
6	16.8	17.0	15.6	13.0	9.1	8.2	6
7	13.5	14.0	12.9	11.3	9.1	8.2	7
8		11.0	10.8	10.0	8.8	7.8	8
9		9.0	9.3	8.7	8.1	7.5	9
10		7.5	7.9	7.6	7.3	7.1	10
12		5.3	5.7	5.7	5.6	5.6	12
14			4.3	4.4	4.5	4.5	14
16			3.3	3.4	3.5	3.5	16
18				2.7	2.8	2.8	18
20				2.1	2.2	2.2	20
22				1.7	1.8	1.8	22
24					1.4	1.4	24
26					1.1	1.1	26
28						0.8	28

RADIO RADIUS PORTÉE AUSLADUNG m	85%						RADIO RADIUS PORTÉE AUSLADUNG m
	LONGITUD DE PLUMA BOOM LENGTH LONGUEUR DE FLÈCHE TELESKOPUSLEGERLÄNGEN						
	9.5 m	14.9 m	20.3 m	25.7 m	28.9 m	31.1 m	
3	35.0*/30.0	18.9					3
4	25.4*/23.5	19.9	17.0	13.2			4
5	21.0	20.5	16.7	13.2	9.1	8.2	5
6	17.5	17.5	16.7	13.2	9.1	8.2	6
7	14.8	15.0	14.2	12.4	9.1	8.2	7
8		12.1	11.9	11.0	9.1	8.2	8
9		9.9	10.2	9.6	8.9	8.2	9
10		8.3	8.7	8.4	8.0	7.8	10
12		5.8	6.3	6.3	6.2	6.2	12
14			4.7	4.8	5.0	5.0	14
16			3.6	3.7	3.9	3.9	16
18				3.0	3.1	3.1	18
20				2.3	2.4	2.4	20
22				1.9	2.0	2.0	22
24					1.5	1.5	24
26					1.2	1.2	26
28						0.9	28

I-II-III

0

25

50

75

90

100

I-II-III

# TABLA DE CARGAS

AT353200401

04011-04021

**AT-35/32**

## LIFTING CAPACITIES / FORCES DE LEVAGE / TRAGLASTEN

### CONTRAPESO / COUNTERWEIGHT / CONTREPOIDS / BALLAST

2 t

PLUMA PRINCIPAL+PLUMÍN DE CELOSÍA. GRÚA SOBRE ESTABILIZADORES TOTALMENTE EXTENDIDOS. ZONA DE TRABAJO 360°  
 MAIN BOOM+LATTICE JIB. CRANE ON FULLY EXTENDED OUTRIGGERS. ROTATION 360°  
 FLÈCHE PRINCIPALE+FLÉCHETTE TREILLIS. GRUE SUR STABILISATEURS EN EXTENSION TOTALE. ROTATION 360°  
 TELESKOPUSLEGER+GITTERSPITZE. ARBEITSZUSTAND: ABGESTÜTZT (VOLLE STÜTZBASIS). ARBEITSBEREICH: 360°

RADIO RADIUS PORTÉE AUSLADUNG m	75%																		RADIO RADIUS PORTÉE AUSLADUNG m
	LONGITUD DE PLUMA+PLUMÍN MAIN BOOM+JIB LENGTH LONGUEUR DE FLÈCHE+FLÉCHETTE TELESKOPUSLEGER- UND SPITZENLÄNGEN																		
	25.7 m + 8.5 m			28.9 m + 8.5 m			31.1 m + 8.5 m			25.7 m + 15 m			28.9 m + 15 m			31.1 m + 15 m			
	0°	15°	30°	0°	15°	30°	0°	15°	30°	0°	15°	30°	0°	15°	30°	0°	15°	30°	
6	6.2																		6
7	5.9			5.3			5.0			3.0									7
8	5.6			5.1			4.9			2.9			2.7						8
9	5.3	4.2		5.0			4.7			2.8			2.6			2.6			9
10	4.9	4.0	3.0	4.8	3.6		4.5	3.6		2.7			2.6			2.5			10
12	4.2	3.7	2.9	4.1	3.5	2.8	4.0	3.5	2.8	2.5	1.9		2.4	1.9		2.4			12
14	3.4	3.2	2.9	3.3	3.1	2.8	3.2	3.1	2.8	2.3	1.9		2.2	1.8		2.2	1.8		14
16	2.6	2.6	2.6	2.5	2.5	2.5	2.4	2.5	2.5	2.0	1.7	1.3	1.9	1.7		2.0	1.6		16
18	1.9	2.0	2.0	1.9	2.0	2.0	1.9	2.0	2.0	1.8	1.5	1.3	1.7	1.5	1.3	1.7	1.5	1.3	18
20	1.4	1.5	1.5	1.4	1.5	1.5	1.4	1.5	1.5	1.5	1.3	1.2	1.5	1.3	1.2	1.4	1.3	1.2	20
22	1.1	1.2	1.2	1.1	1.2	1.2	1.1	1.2	1.2	1.2	1.1	1.1	1.2	1.1	1.1	1.2	1.1	1.1	22
24	0.9	1.0	1.0	0.9	1.0	1.0	0.9	1.0	1.0	1.0	1.0	1.0	1.0	1.0	1.0	1.0	1.0	1.0	24
26	0.7	0.8		0.7	0.8	0.9	0.7	0.8	0.9	0.9	0.9	0.9	0.9	0.9	0.9	0.9	0.9	0.9	26
28	0.5	0.6		0.5	0.6	0.7	0.5	0.6	0.7	0.7	0.7	0.7	0.7	0.7	0.7	0.7	0.7	0.7	28
30					0.5			0.5		0.5	0.6	0.6	0.5	0.6	0.6	0.5	0.6	0.6	30
32											0.5	0.5		0.5	0.5		0.5	0.5	32

RADIO RADIUS PORTÉE AUSLADUNG m	85%																		RADIO RADIUS PORTÉE AUSLADUNG m
	LONGITUD DE PLUMA+PLUMÍN MAIN BOOM+JIB LENGTH LONGUEUR DE FLÈCHE+FLÉCHETTE TELESKOPUSLEGER- UND SPITZENLÄNGEN																		
	25.7 m + 8.5 m			28.9 m + 8.5 m			31.1 m + 8.5 m			25.7 m + 15 m			28.9 m + 15 m			31.1 m + 15 m			
	0°	15°	30°	0°	15°	30°	0°	15°	30°	0°	15°	30°	0°	15°	30°	0°	15°	30°	
6	6.2																		6
7	6.2			5.3			5.0			3.0									7
8	6.2			5.3			5.0			3.0			2.7						8
9	5.8	4.2		5.3			5.0			3.0			2.7			2.6			9
10	5.4	4.2	3.0	5.3	3.6		5.0	3.6		3.0			2.7			2.6			10
12	4.6	4.1	3.0	4.5	3.6	2.8	4.4	3.6	2.8	2.8	1.9		2.6	1.9		2.6			12
14	3.7	3.5	3.0	3.6	3.4	2.8	3.5	3.4	2.8	2.5	1.9		2.4	1.9		2.4	1.8		14
16	2.9	2.9	2.9	2.8	2.8	2.8	2.6	2.8	2.8	2.2	1.9	1.3	2.1	1.9		2.2	1.8		16
18	2.1	2.2	2.2	2.1	2.2	2.2	2.1	2.2	2.2	2.0	1.7	1.3	1.9	1.7	1.3	1.9	1.7	1.3	18
20	1.5	1.7	1.7	1.5	1.7	1.7	1.5	1.7	1.7	1.7	1.4	1.3	1.7	1.4	1.3	1.5	1.4	1.3	20
22	1.2	1.3	1.3	1.2	1.3	1.3	1.2	1.3	1.3	1.3	1.2	1.2	1.3	1.2	1.2	1.3	1.2	1.2	22
24	1.0	1.1	1.1	1.0	1.1	1.1	1.0	1.1	1.1	1.1	1.1	1.1	1.1	1.1	1.1	1.1	1.1	1.1	24
26	0.8	0.9		0.8	0.9	1.0	0.8	0.9	1.0	1.0	1.0	1.0	1.0	1.0	1.0	1.0	1.0	1.0	26
28	0.6	0.7		0.6	0.7	0.8	0.6	0.7	0.8	0.8	0.8	0.8	0.8	0.8	0.8	0.8	0.8	0.8	28
30					0.6			0.6		0.6	0.7	0.7	0.6	0.7	0.7	0.6	0.7	0.7	30
32											0.6	0.6		0.6	0.6		0.6	0.6	32

I-II-III	75	75	75	90	90	90	100	100	100	75	75	75	90	90	90	100	100	100	I-II-III
----------	----	----	----	----	----	----	-----	-----	-----	----	----	----	----	----	----	-----	-----	-----	----------

# TABLA DE CARGAS

AT353200401

04313-04321

**AT-35/32**

## LIFTING CAPACITIES / FORCES DE LEVAGE / TRAGLASTEN

### CONTRAPESO / COUNTERWEIGHT / CONTREPOIDS / BALLAST

5 t

PLUMA PRINCIPAL+PLUMÍN DE CELOSÍA. GRÚA SOBRE ESTABILIZADORES TOTALMENTE EXTENDIDOS. ZONA DE TRABAJO 360°  
 MAIN BOOM+LATTICE JIB. CRANE ON FULLY EXTENDED OUTRIGGERS. ROTATION 360°  
 FLÈCHE PRINCIPALE+FLÉCHETTE TREILLIS. GRUE SUR STABILISATEURS EN EXTENSION TOTALE. ROTATION 360°  
 TELESKOPUSLEGER+GITTERSPIITZE. ARBEITSZUSTAND: ABGESTÜTZT (VOLLE STÜTZBASIS). ARBEITSBEREICH: 360°

RADIO RADIUS PORTÉE AUSLADUNG m	75%																		RADIO RADIUS PORTÉE AUSLADUNG m
	LONGITUD DE PLUMA+PLUMÍN MAIN BOOM+JIB LENGTH LONGUEUR DE FLÈCHE+FLÉCHETTE TELESKOPUSLEGER- UND SPITZENLÄNGEN																		
	25.7 m + 8.5 m			28.9 m + 8.5 m			31.1 m + 8.5 m			25.7 m + 15 m			28.9 m + 15 m			31.1 m + 15 m			
	0°	15°	30°	0°	15°	30°	0°	15°	30°	0°	15°	30°	0°	15°	30°	0°	15°	30°	
6	6.2																		6
7	5.9			5.3			5.0			3.0									7
8	5.6			5.1			4.9			2.9			2.7						8
9	5.3	4.2		5.0			4.7			2.8			2.6			2.6			9
10	5.0	4.0	3.0	4.8	3.6		4.6	3.6		2.7			2.6			2.5			10
12	4.6	3.7	2.9	4.5	3.5	2.8	4.3	3.5	2.8	2.5	1.9		2.4	1.9		2.4			12
14	4.2	3.4	2.9	4.1	3.3	2.8	3.9	3.3	2.8	2.3	1.9		2.2	1.8		2.2	1.8		14
16	3.6	3.1	2.8	3.5	3.0	2.8	3.4	3.0	2.7	2.2	1.7	1.3	2.1	1.7		2.1	1.6		16
18	2.9	2.8	2.7	2.8	2.7	2.7	2.8	2.7	2.7	2.0	1.6	1.3	1.9	1.6	1.3	1.9	1.5	1.3	18
20	2.3	2.3	2.4	2.2	2.3	2.4	2.2	2.3	2.4	1.8	1.5	1.3	1.7	1.5	1.3	1.7	1.4	1.3	20
22	1.9	1.9	2.0	1.9	1.9	2.0	1.8	1.8	1.9	1.6	1.4	1.2	1.6	1.4	1.2	1.6	1.4	1.2	22
24	1.6	1.6	1.7	1.6	1.6	1.7	1.5	1.5	1.6	1.5	1.3	1.2	1.5	1.3	1.2	1.5	1.3	1.2	24
26	1.3	1.3		1.3	1.3	1.4	1.2	1.2	1.3	1.3	1.2	1.1	1.3	1.2	1.1	1.3	1.2	1.1	26
28	1.0	1.1		1.0	1.1	1.2	1.0	1.1	1.1	1.0	1.1	1.1	1.0	1.0	1.1	1.0	1.0	1.1	28
30	0.8			0.7	0.8		0.7	0.8		0.8	1.0	1.1	0.8	0.9	1.1	0.8	0.9	1.1	30
32					0.6		0.5	0.6		0.7	0.8	0.9	0.6	0.7	0.8	0.6	0.7	0.8	32
34								0.5		0.6	0.7		0.5	0.6	0.7	0.5	0.6	0.7	34
36										0.5	0.6			0.5			0.5		36

RADIO RADIUS PORTÉE AUSLADUNG m	85%																		RADIO RADIUS PORTÉE AUSLADUNG m
	LONGITUD DE PLUMA+PLUMÍN MAIN BOOM+JIB LENGTH LONGUEUR DE FLÈCHE+FLÉCHETTE TELESKOPUSLEGER- UND SPITZENLÄNGEN																		
	25.7 m + 8.5 m			28.9 m + 8.5 m			31.1 m + 8.5 m			25.7 m + 15 m			28.9 m + 15 m			31.1 m + 15 m			
	0°	15°	30°	0°	15°	30°	0°	15°	30°	0°	15°	30°	0°	15°	30°	0°	15°	30°	
6	6.2																		6
7	6.2			5.3			5.0			3.0									7
8	6.2			5.3			5.0			3.0			2.7						8
9	5.8	4.2		5.3			5.0			3.0			2.7			2.6			9
10	5.5	4.2	3.0	5.3	3.6		5.0	3.6		3.0			2.7			2.6			10
12	5.1	4.1	3.0	5.0	3.6	2.8	4.7	3.6	2.8	2.7	1.9		2.6	1.9		2.6			12
14	4.6	3.7	3.0	4.5	3.6	2.8	4.3	3.6	2.8	2.5	1.9		2.4	1.9		2.4	1.8		14
16	4.0	3.4	3.0	3.9	3.3	2.8	3.7	3.3	2.8	2.4	1.9	1.3	2.3	1.9		2.3	1.8		16
18	3.2	3.1	3.0	3.1	3.0	2.8	3.1	3.0	2.8	2.2	1.8	1.3	2.1	1.8	1.3	2.1	1.7	1.3	18
20	2.5	2.5	2.6	2.4	2.5	2.6	2.4	2.5	2.6	2.0	1.7	1.3	1.9	1.7	1.3	1.9	1.5	1.3	20
22	2.1	2.1	2.2	2.1	2.1	2.2	2.0	2.0	2.1	1.8	1.5	1.3	1.8	1.5	1.3	1.8	1.5	1.3	22
24	1.8	1.8	1.9	1.8	1.8	1.9	1.7	1.7	1.8	1.7	1.4	1.3	1.7	1.4	1.3	1.7	1.4	1.3	24
26	1.4	1.4		1.4	1.4	1.5	1.3	1.3	1.4	1.4	1.3	1.2	1.4	1.3	1.2	1.4	1.3	1.2	26
28	1.1	1.2		1.1	1.2	1.3	1.1	1.2	1.2	1.1	1.2	1.2	1.1	1.1	1.2	1.1	1.1	1.2	28
30	0.9			0.8	0.9		0.8	0.9		0.9	1.1	1.2	0.9	1.0	1.2	0.9	1.0	1.2	30
32					0.7		0.6	0.7		0.8	0.9	1.0	0.7	0.8	0.9	0.7	0.8	0.9	32
34								0.6		0.7	0.8		0.6	0.7	0.8	0.6	0.7	0.8	34
36										0.6	0.7			0.6			0.6		36

I-II-III	75	75	75	90	90	90	100	100	100	75	75	75	90	90	90	100	100	100	I-II-III
----------	----	----	----	----	----	----	-----	-----	-----	----	----	----	----	----	----	-----	-----	-----	----------

# TABLA DE CARGAS

AT353200401

01510-01520

**AT-35/32**

## LIFTING CAPACITIES / FORCES DE LEVAGE / TRAGLASTEN

### CONTRAPESO / COUNTERWEIGHT / CONTREPOIDS / BALLAST

2 t

PLUMA PRINCIPAL. GRÚA SOBRE ESTABILIZADORES EXTENDIDOS 6.4 m x 4.1 m. ZONA DE TRABAJO 360°

MAIN BOOM. CRANE ON 6.4 m x 4.1 m OUTRIGGERS. ROTATION 360°

FLÈCHE PRINCIPALE. GRUE SUR STABILISATEURS EN EXTENSION 6.4 m x 4.1 m. ROTATION 360°

TELESKOPUSLEGER. ARBEITZUSTAND: ABGESTÜTZT (6.4 m x 4.1 m). ARBEITSBEREICH: 360°

RADIO RADIUS PORTÉE AUSLADUNG m	75%						RADIO RADIUS PORTÉE AUSLADUNG m
	LONGITUD DE PLUMA BOOM LENGTH LONGUEUR DE FLÈCHE TELESKOPUSLEGERLÄNGEN						
	9.5 m	14.9 m	20.3 m	25.7 m	28.9 m	31.1 m	
3	26.0	18.9					3
4	16.0	17.3	17.0	13.2			4
5	10.0	11.8	12.8	11.0	9.1	8.2	5
6	6.0	8.4	8.8	8.8	8.9	8.0	6
7	4.0	6.4	6.7	6.7	6.8	6.8	7
8		4.8	5.0	5.0	5.1	5.1	8
9		3.6	4.0	4.0	4.1	4.1	9
10		2.8	3.3	3.4	3.5	3.5	10
12		1.7	2.3	2.4	2.5	2.5	12
14			1.5	1.6	1.7	1.7	14
16			1.0	1.1	1.2	1.2	16
18				0.7	0.8	0.8	18
20					0.5	0.5	20

RADIO RADIUS PORTÉE AUSLADUNG m	85%						RADIO RADIUS PORTÉE AUSLADUNG m
	LONGITUD DE PLUMA BOOM LENGTH LONGUEUR DE FLÈCHE TELESKOPUSLEGERLÄNGEN						
	9.5 m	14.9 m	20.3 m	25.7 m	28.9 m	31.1 m	
3	28.6	18.9					3
4	17.6	19.0	17.0	13.2			4
5	11.0	13.0	14.1	12.1	9.1	8.2	5
6	6.6	9.2	9.7	9.7	9.1	8.2	6
7	4.4	7.0	7.4	7.4	7.5	7.5	7
8		5.3	5.5	5.5	5.6	5.6	8
9		4.0	4.4	4.4	4.5	4.5	9
10		3.1	3.6	3.7	3.9	3.9	10
12		1.9	2.5	2.6	2.8	2.8	12
14			1.7	1.8	1.9	1.9	14
16			1.1	1.2	1.3	1.3	16
18				0.8	0.9	0.9	18
20					0.6	0.6	20

I-II-III	0	25	50	75	90	100	I-II-III
----------	---	----	----	----	----	-----	----------

# TABLA DE CARGAS

AT353200401

01710-01720

**AT-35/32**

## LIFTING CAPACITIES / FORCES DE LEVAGE / TRAGLASTEN

### CONTRAPESO / COUNTERWEIGHT / CONTREPOIDS / BALLAST

5 t

PLUMA PRINCIPAL. GRÚA SOBRE ESTABILIZADORES EXTENDIDOS 6.4 m x 4.1 m. ZONA DE TRABAJO 360°

MAIN BOOM. CRANE ON 6.4 m x 4.1 m OUTRIGGERS. ROTATION 360°

FLÈCHE PRINCIPALE. GRUE SUR STABILISATEURS EN EXTENSION 6.4 m x 4.1 m. ROTATION 360°

TELESKOPUSLEGER. ARBEITZUSTAND: ABGESTÜTZT (6.4 m x 4.1 m). ARBEITSBEREICH: 360°

RADIO RADIUS PORTÉE AUSLADUNG m	75%						RADIO RADIUS PORTÉE AUSLADUNG m
	LONGITUD DE PLUMA BOOM LENGTH LONGUEUR DE FLÈCHE TELESKOPUSLEGERLÄNGEN						
	9.5 m	14.9 m	20.3 m	25.7 m	28.9 m	31.1 m	
3	28.0	18.9					3
4	21.0	18.5	17.0	13.2			4
5	14.0	15.7	15.8	12.9	9.1	8.2	5
6	10.0	11.4	11.6	11.8	9.1	8.1	6
7	7.5	8.2	8.5	8.7	8.8	7.8	7
8		6.4	6.6	6.8	7.2	7.1	8
9		5.1	5.3	5.6	5.8	5.8	9
10		4.2	4.4	4.7	4.8	4.8	10
12		3.0	3.2	3.4	3.5	3.5	12
14			2.4	2.5	2.6	2.6	14
16			1.8	1.9	2.0	2.0	16
18				1.4	1.5	1.5	18
20				1.0	1.1	1.1	20
22				0.7	0.8	0.8	22
24					0.6	0.6	24
26					0.5	0.5	26

RADIO RADIUS PORTÉE AUSLADUNG m	85%						RADIO RADIUS PORTÉE AUSLADUNG m
	LONGITUD DE PLUMA BOOM LENGTH LONGUEUR DE FLÈCHE TELESKOPUSLEGERLÄNGEN						
	9.5 m	14.9 m	20.3 m	25.7 m	28.9 m	31.1 m	
3	30.0	18.9					3
4	23.1	19.8	17.0	13.2			4
5	15.4	17.3	16.7	13.2	9.1	8.2	5
6	11.0	12.5	12.8	13.0	9.1	8.2	6
7	8.3	9.0	9.4	9.6	9.1	8.2	7
8		7.0	7.3	7.5	7.9	7.8	8
9		5.6	5.8	6.2	6.4	6.4	9
10		4.6	4.8	5.2	5.3	5.3	10
12		3.3	3.5	3.7	3.9	3.9	12
14			2.6	2.8	2.9	2.9	14
16			2.0	2.1	2.2	2.2	16
18				1.5	1.7	1.7	18
20				1.1	1.2	1.2	20
22				0.8	0.9	0.9	22
24					0.7	0.7	24
26					0.6	0.6	26

I-II-III	0	25	50	75	90	100	I-II-III
----------	---	----	----	----	----	-----	----------